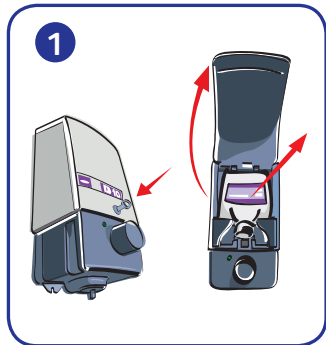


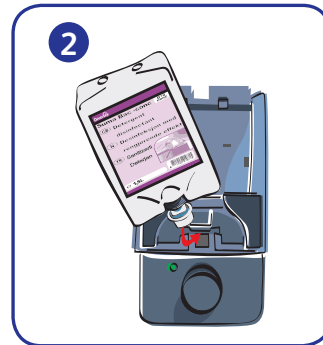


How to Replace a Divermite Refill

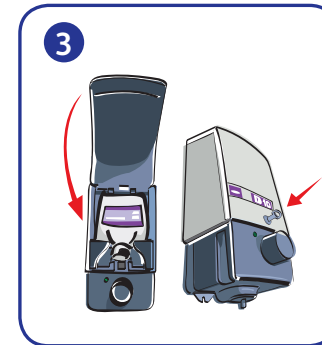
Process...



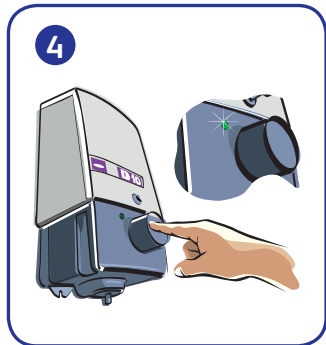
To open, unlock with key, lift lid and remove empty pouch.



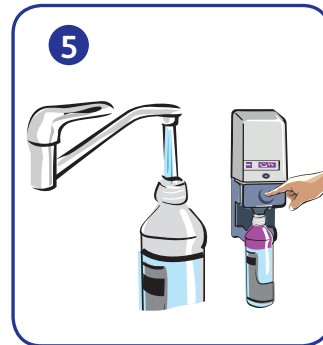
When inserting refill pouch press down gently on the dispensing nozzle until it clicks into place.



Close the lid and lock the unit.



Press button to fill reservoir. Product will not dispense until green indicator is visible.



In use, fill bottle to fill line level and dispense product as recommended.

